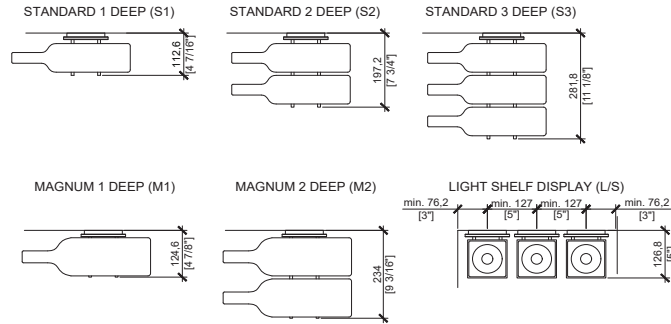


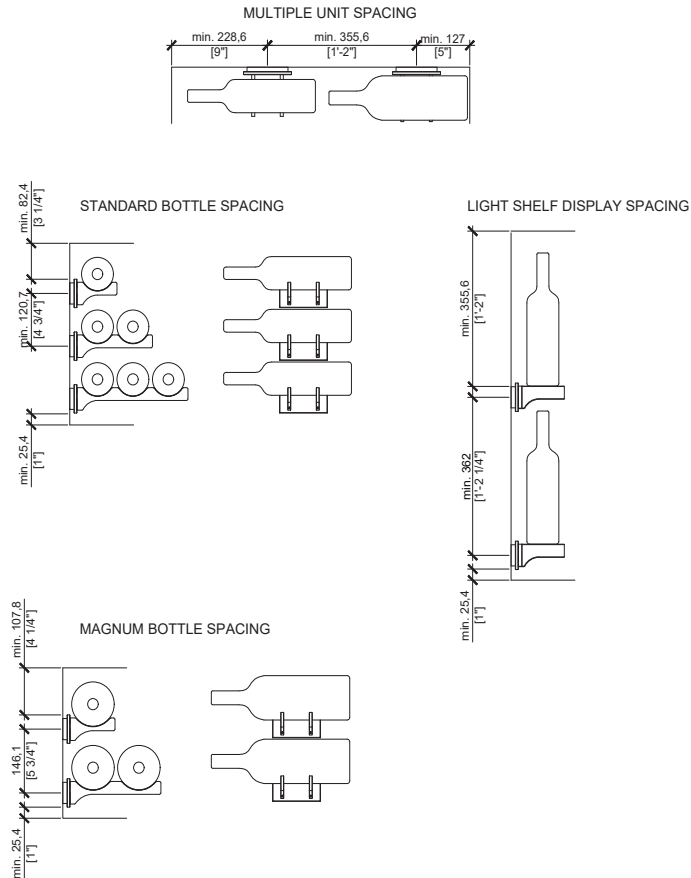
MONO SERIES - Specification Guide

Installation Type : Wall mounted | Display Options :: S1, S2, S3, M1, M2 & LS | Colour Options : 13 Colours available | Capacity : 1-3 bottles | Pricing : Based on configuration

DISPLAY OPTIONS



MULTIPLE UNIT SPACING REQUIREMENTS



MONO SERIES - Specification Guide

COLOUR OPTIONS



MONO PLATE DETAIL

